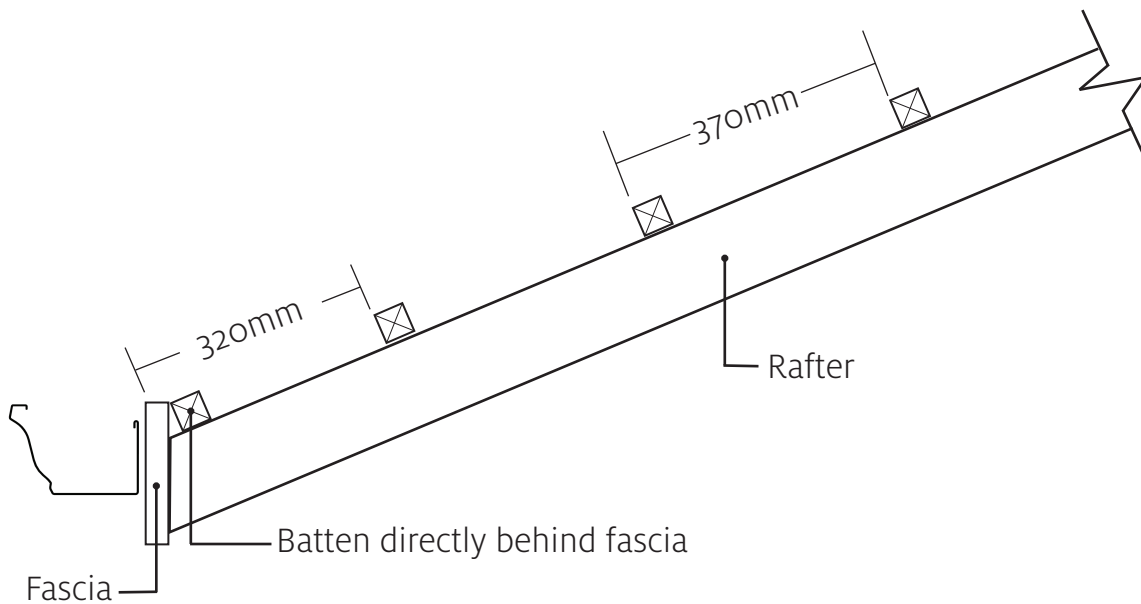
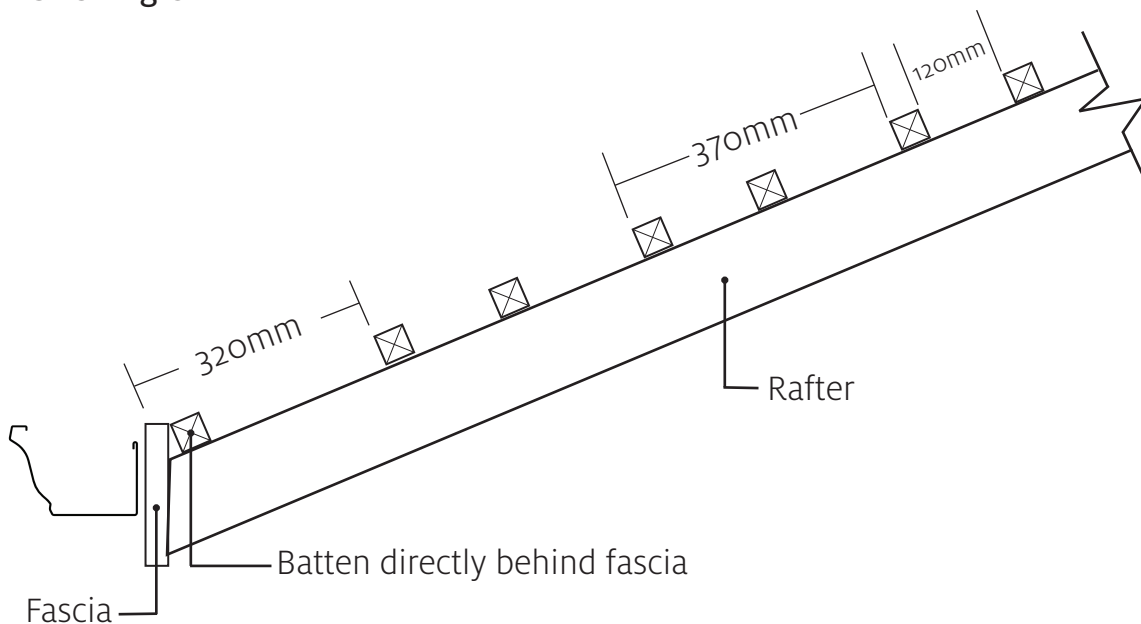


CF Profile Batten Layout

CF Shake



CF Shingle



The first batten is spaced 320mm from the front of the fascia to allow a 50mm overhang into the gutter.

For CF Shake the battens are then spaced 370mm from front of batten to front of batten.

For CF Shingle the battens are also spaced at 370mm but there is a support batten placed 120mm from the back of the 370mm spaced batten.