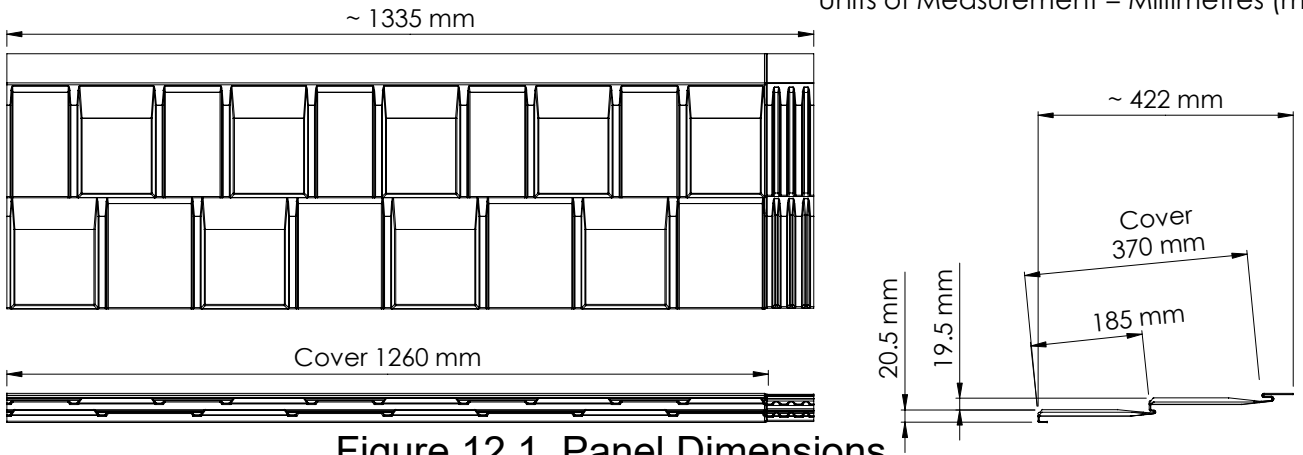


# CF SHINGLE PANEL (Figure 12)

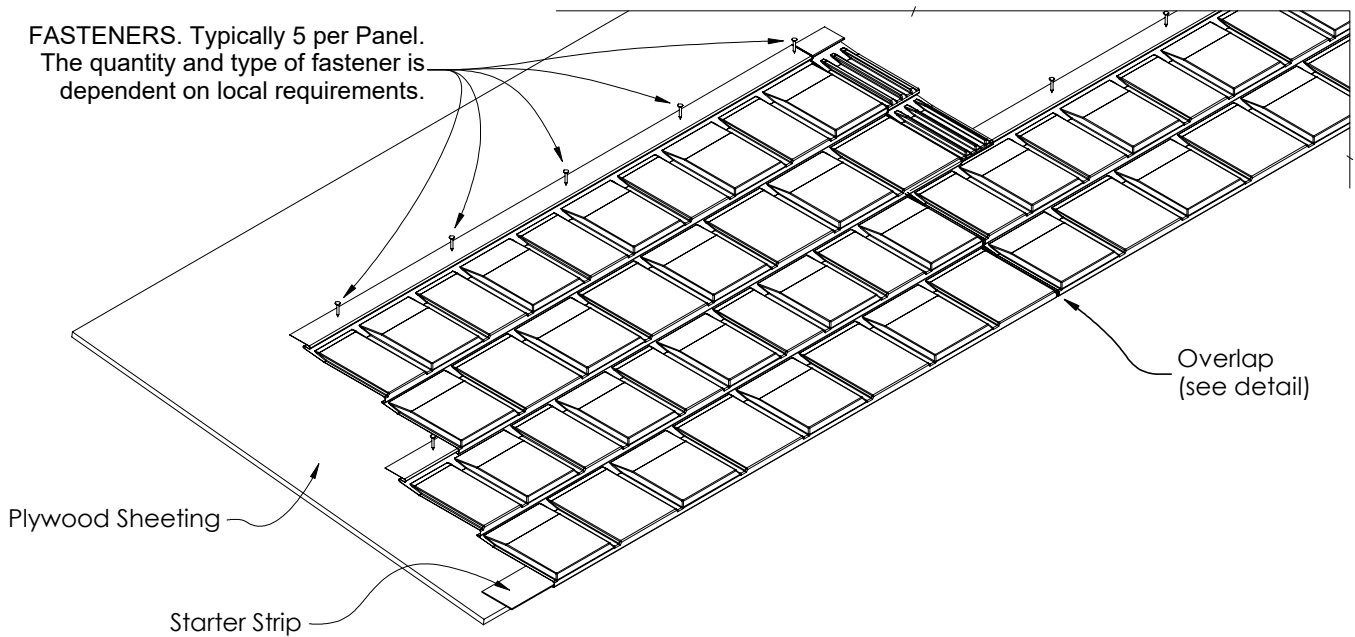
[ CF = Concealed Fastening ]

Units of Measurement = Millimetres (mm)

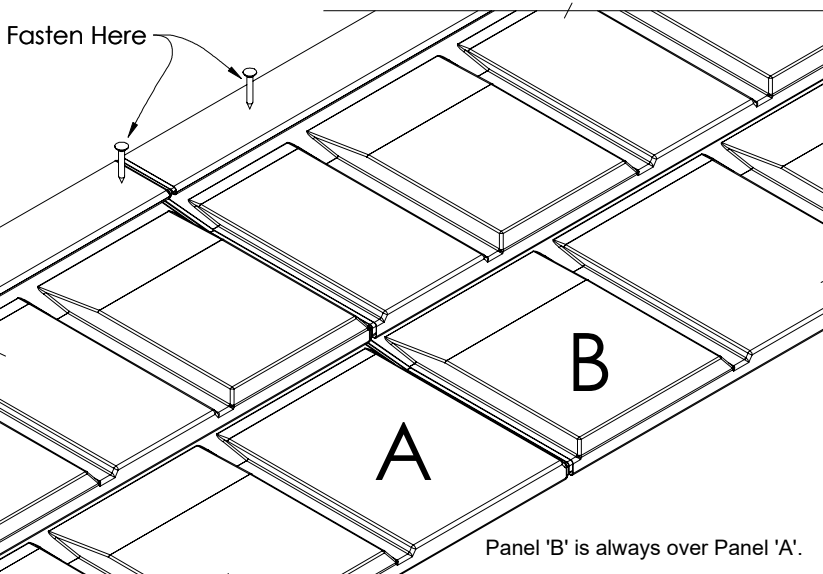


**Figure 12.1 Panel Dimensions**

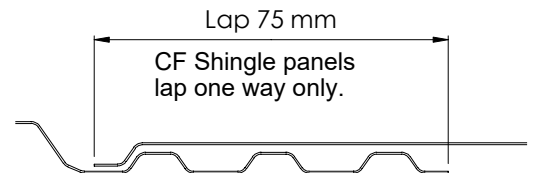
**FASTENERS.** Typically 5 per Panel. The quantity and type of fastener is dependent on local requirements.



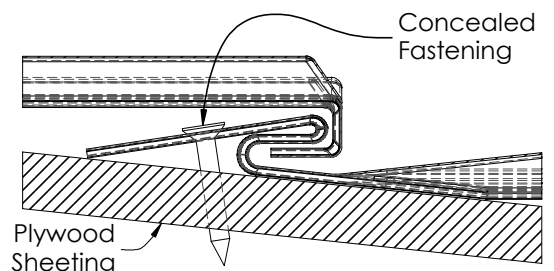
**Figure 12.2 Fastening Detail**



**Figure 12.3 Overlap Detail**



**Figure 12.4 Side Lap Detail**



**Figure 12.5 Nose Lap Detail**