

HV110 Classic Sanitary Vent

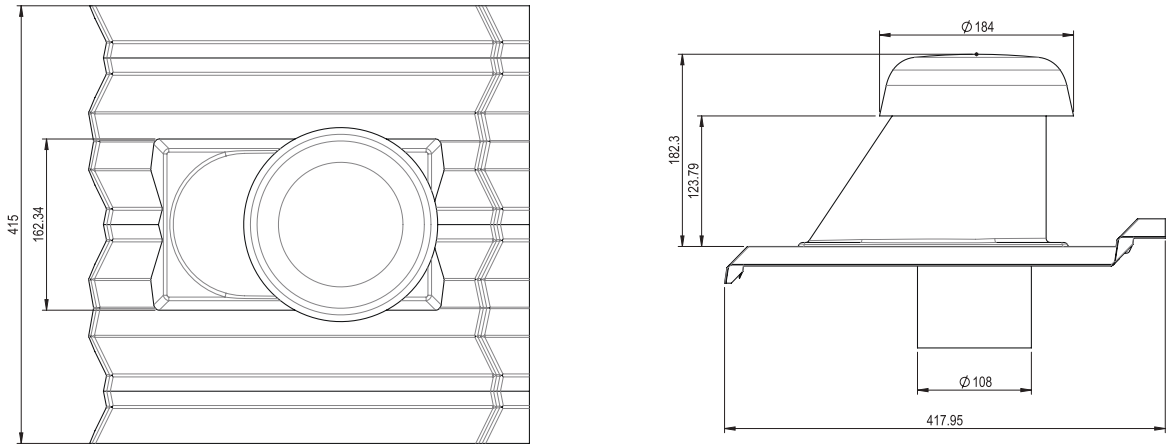


Figure 1.1 Vent Dimensions

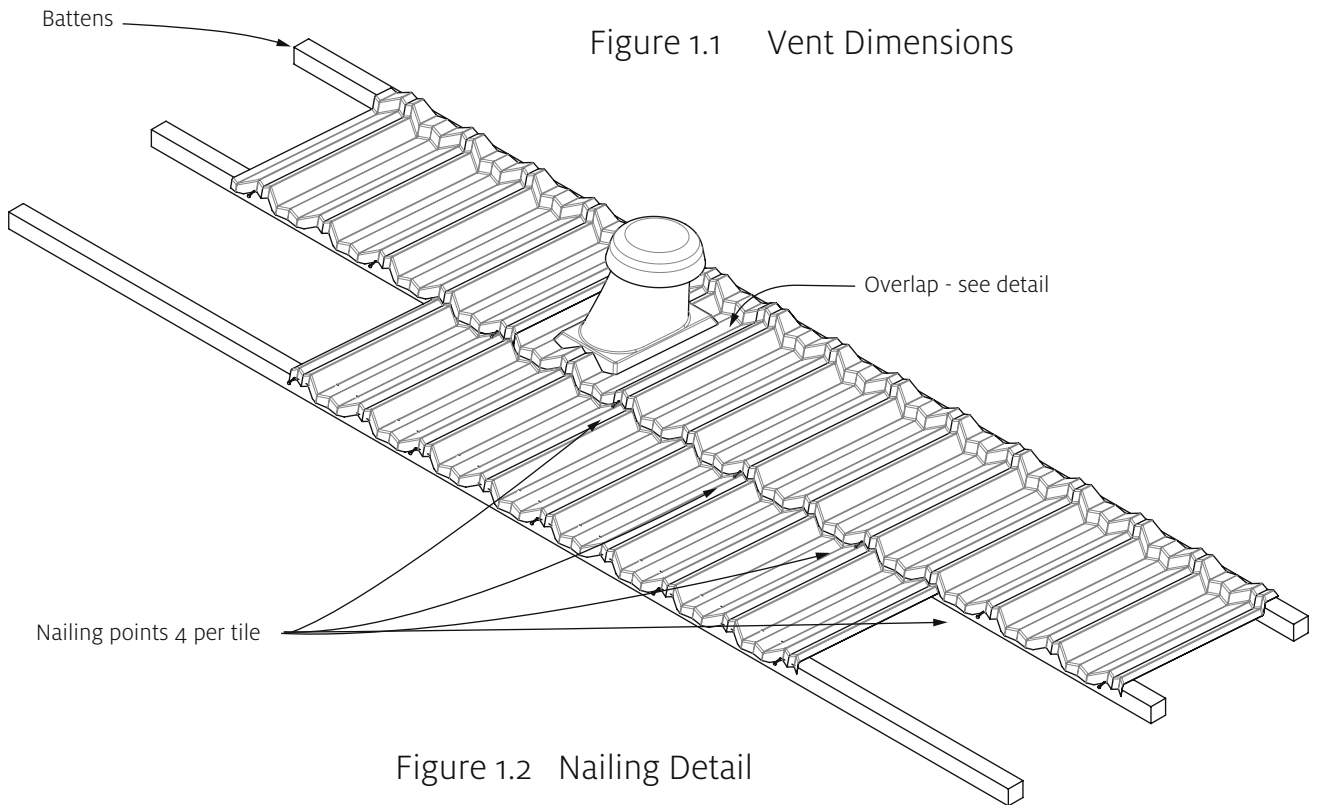
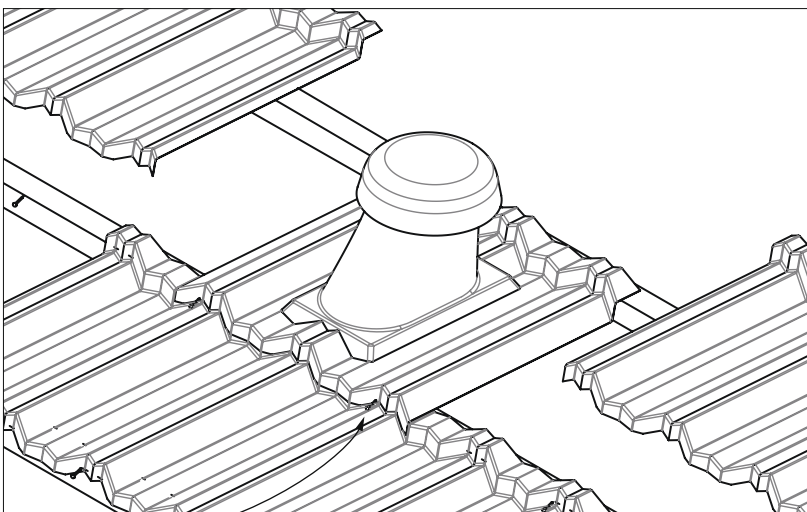


Figure 1.2 Nailing Detail



NAIL Here.
(Where tile is over the vent).
Nail Should be applied at angle, perpendicular to contact point of tile.

Figure 1.3 Overlap Detail

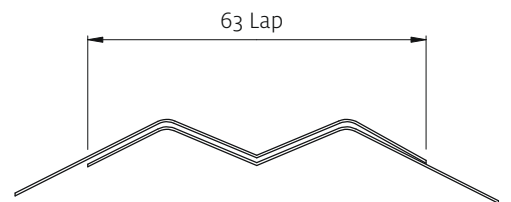


Figure 1.4 Lap Section

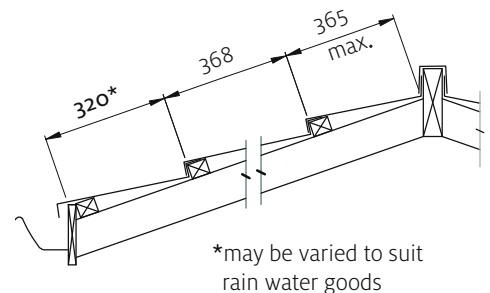


Figure 1.5 Batten Layout