

# HV160 Tudor Extraction Vent

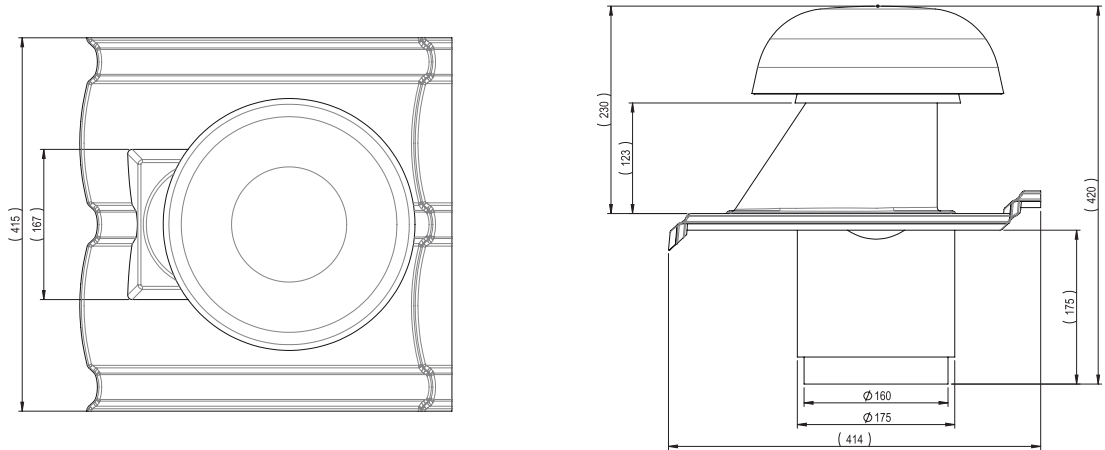


Figure 1.1 Vent Dimensions

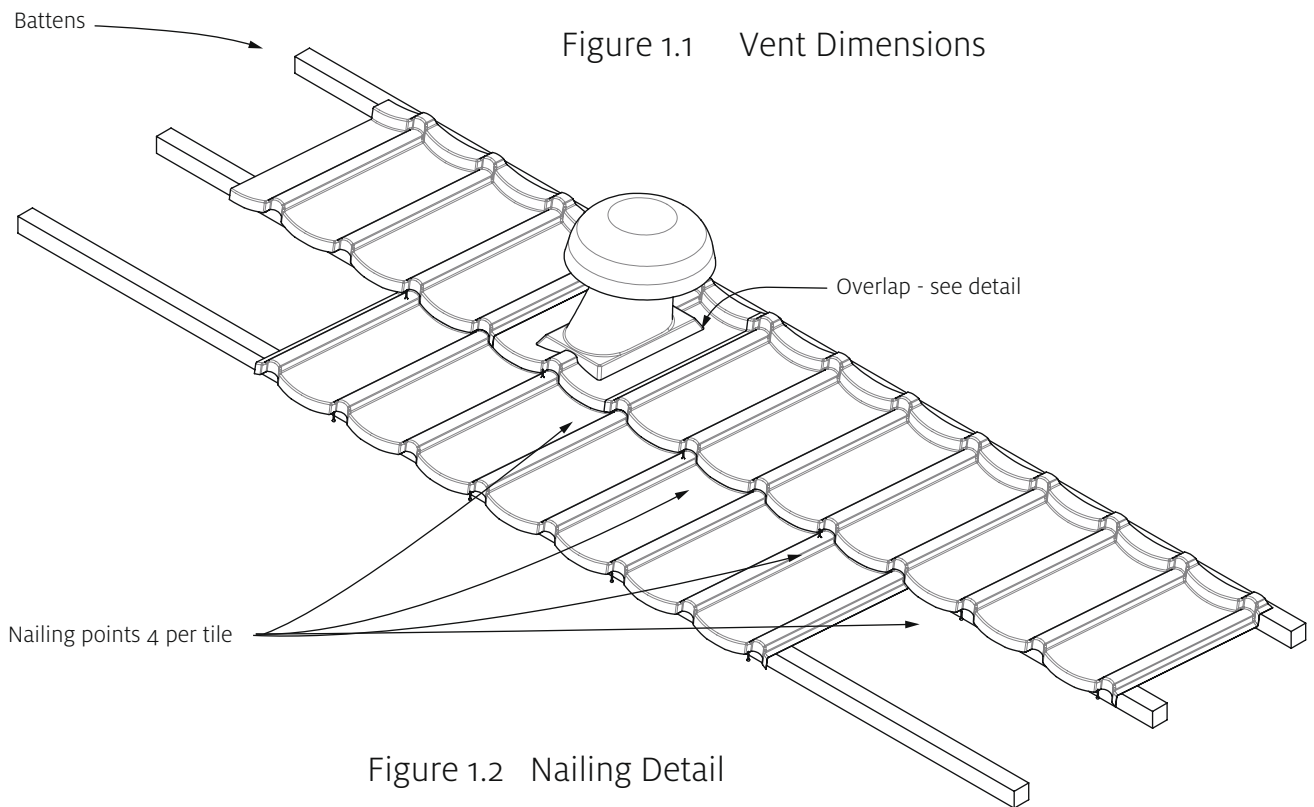
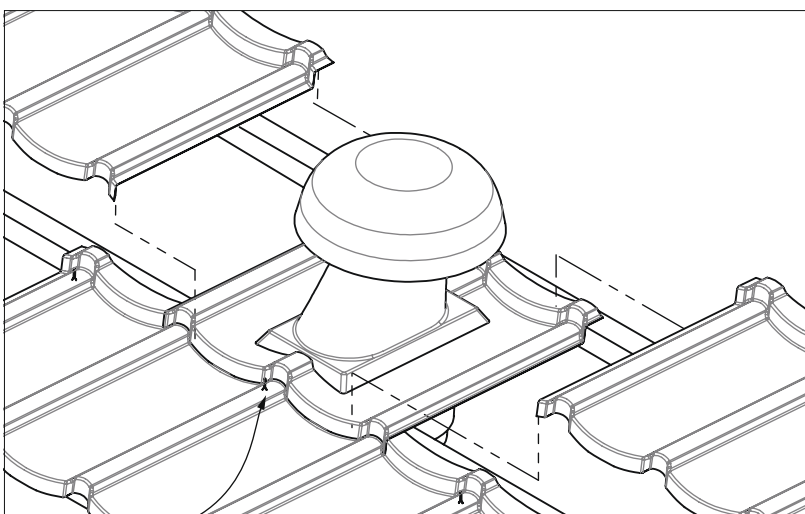


Figure 1.2 Nailing Detail



NAIL Here.  
(Where tile is over the vent).  
Nail Should be applied at angle, perpendicular to contact point of tile.

Figure 1.3 Overlap Detail

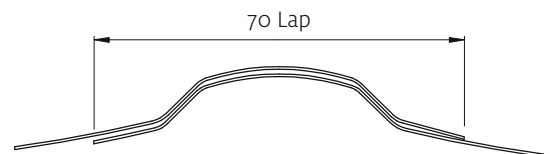
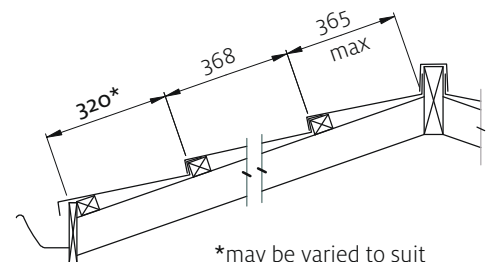


Figure 1.4 Lap Section



\*may be varied to suit  
rain water goods

Figure 1.5 Batten Layout