

TECHNICAL SPECIFICATIONS

For

HV160 Extraction Vent

APPLICATION

The HV160 vent from J.A Plast is primarily an extraction vent. It is ideal as a ventilation outlet from living quarters like kitchen, bathroom, and laundry room or as stack pipe. HV160 can also be used for mechanical ventilation from range-hoods and bathroom extractors. The HV160 helps to remove dampness and condensation; improves bathroom ventilation; prevents damp conditions that cause mould and mildew; and keeps insulation efficient.

The HV160 is available in 3 profile variations

- Metrotile Shake profile (also fits the Royal Profile)
- Metrotile Classic profile
- Metrotile Tudor profile
- For pitched roofs 15 degree – 45 degree

160mm Pipe Penetration Sleeve Accessory

Fits around the outlet pipe and adheres to the underlay below the vent to retain the weather-tight integrity of the roofing system and to keep out bugs, rodents, etc.

Design

The design of the HV160 vent diverts water around the vent and down the roof surface. The vent is moulded on to a base plate shaped to fit the rest of the roofing material and always follows the roof pitch. The vent presents a nicely integrated solution.

Colour and Surface

Satin or textured the vents can be supplied with a 100% colour and surface match individually adjusted to each roofing material.

Materials

Vent is manufactured from HIPS (High Impact Polystyrene).

Handling

Keep in original packaging during transport.
Do not wrap and expose to heavy load during transport
Remove plastic bag before placing in sunlight.

WARRANTIES

Installation Warranty

HV160 Extraction Vent may only be installed by trained fixers employed or contracted to a registered Metrotile Roofing Systems installer. The installation carries a 5 year fixing warranty from the distributor.

Textured and Satin Weather Security Warranty:

A full 15 year weatherproof warranty.

Durability (B2)

Without recoating, the HV160 Extraction Vent will meet the provisions of NZBC B2.3(C) for 15 years when used and maintained as directed by our manufacturing installation manual.

Structure (B1)

When installed according to the manufactures recommendations, the Metrotile roofing products will allow provisions of NZBC B1.3.1, B1.3.2, and B1.3.4 to be met for the relevant provisions of B1.3.3.

WIND ZONES

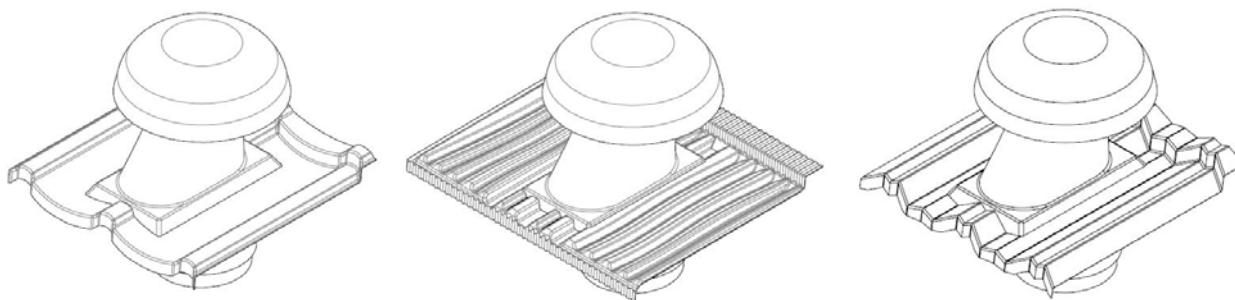
On new roofs, when fixed to battens sized and installed according to NZS 3604 or NZS 4217, HV160 Extraction Vents are suitable for use in all NZS 3604 building wind zones up to and including EXTRA HIGH WIND ZONES. In NZS 3604, very high building wind zones, battens are to be secured using 2 x 90 x 3.15 power driven nails for the Main & Periphery roof areas.

On existing roofs, when fixed to counter battens correctly installed, the HV160 Extraction Vent is suitable for use in all NZS 3604 building wind zones up to and including EXTRA HIGH WIND ZONES.

SNOW LOADING

The HV160 extraction Vent is suitable for use where buildings are designed for the 1kPa snow loading.

SPECIFICATIONS



HV160 Extraction Vent	Tudor	Shake/Royal	Classic
Overall Length:	500 mm	500mm	500mm
Width of Cover:	295 mm	205mm	255mm
Weight of Textured Vent:	2.5 kg	2.5 kg	2.5 kg
Weight of Satin Vent:	2.3 kg	2.3 kg	2.3 kg
Nailing points per tile	4	4	4
Minimum Roof Pitch:	15°	15°	15°

Ross Roof Group

1C Inlet Road, Takanini 2112; PO Box 72062, Papakura 2244, New Zealand p: +64 9 299 9498 f: +64 9 298 4114 www.metrotile.com